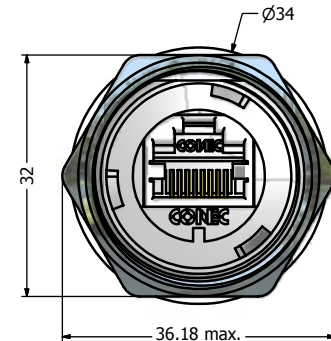
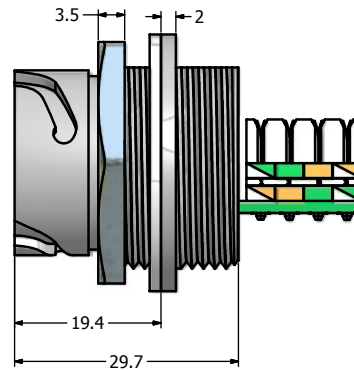
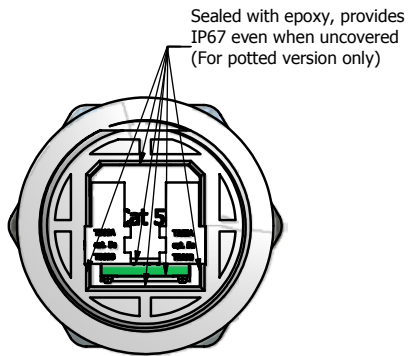
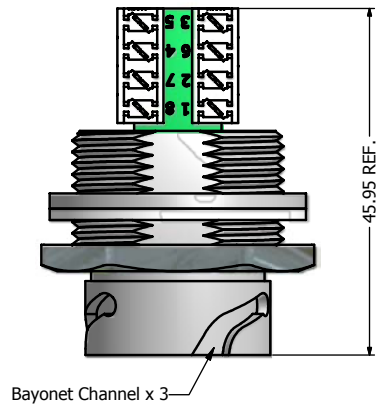
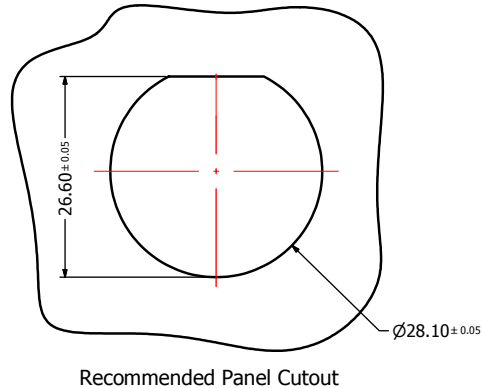


Shielded Cat. 5e RJ45 IDC Jack accepts both Solid and Stranded AWG 24 to 26 Wires



Notes:

- Electrical Specifications:
 - Meets EIA/TIA-568-B.2 Cat.5e Specification
 - Contact Resistance: 20mOhm max.
 - Insulation Resistance: 500MOhm min. @ 100 VDC
 - Current Rating: 1.2A max. at 25° C
 - Working Voltage: 100 VDC
 - DWV: 1000 VDC/60s Contact to Contact, 1500 VDC/60s Contact to Metal Shell
 - Operating Temperature: -40° C to +85° C
- Material and Finish:
 - Receptacle Housing: Polyester (Black) or Metallized ABS (Nickel Plated); UL94 V-0
 - Panel Nut: Brass, Finish: Nickel Plated
 - Panel Gasket: Silicone, Color: White
 - RJ45 IDC Jack Metal Shell: Copper Alloy, Nickel Plated
 - RJ45 IDC Jack Plastic Housing: Glass filled PBT UL94 V-0, Color: Black
 - RJ45 IDC Jack Contacts: Phosphor Bronze, Finish: 50u" Gold min. over Nickel
- Connector can be front or rear mounted to a maximum panel thickness of 3.2mm.
- RoHS compliant

Directive 2002/95/EC
"RoHS"
Compliant

Description	Part Number
Plastic Version	17-10015
Metallized Plastic Version	17-10016
Potted Plastic Version	17-10033
Potted Metallized Plastic Version	17-10034

THIS DRAWING MAY NOT BE COPIED, OR REPRODUCED IN ANY WAY AND MAY NOT BE PASSED ON TO A THIRD PARTY WITHOUT WRITTEN PERMISSION. OWNERSHIP AND COPYRIGHT OF CONEC CORPORATION. DO NOT ALTER CAD DRAWING BY HAND	Customer:			Tolerance Unless otherwise specified			Scale: 1.5:1	Dim. in mm
	Name	Title	Approval Date	0 PLC ±0.50	1 PLC ±0.38		Autodesk Inventor	Material: See Notes
				2 PLC ±0.25	3 PLC ±0.10	2007 Date Name Draw. Oct 25 Vincent Ke Appd. Oct 25 J. Chaudry	Title: Receptacle Assembly Kit Industrial Ethernet Connector (IP67) with Cat. 5e RJ45 IDC Jack	
	c	origin	May/25/09 Vincent Ke	Norm	D-old		Drawing No.: 39K1A332	DIN A3
	b	Changes	Jan/28/08 Vincent Ke				Part No.: SEE P/N ABOVE	Sheet 1/1

